

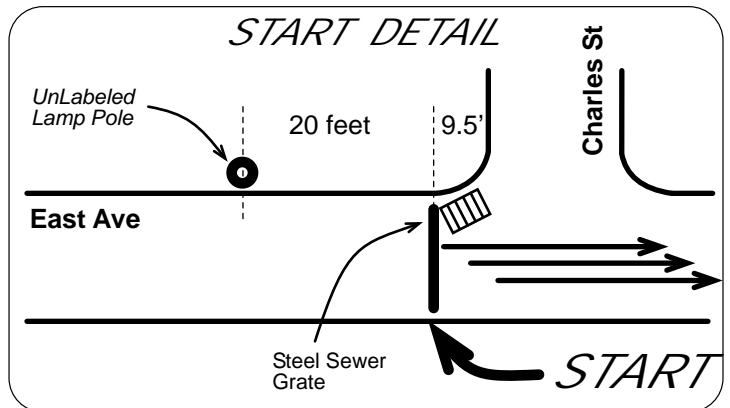
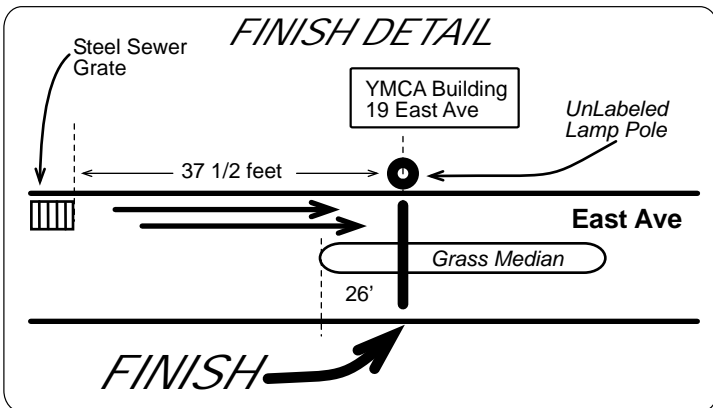
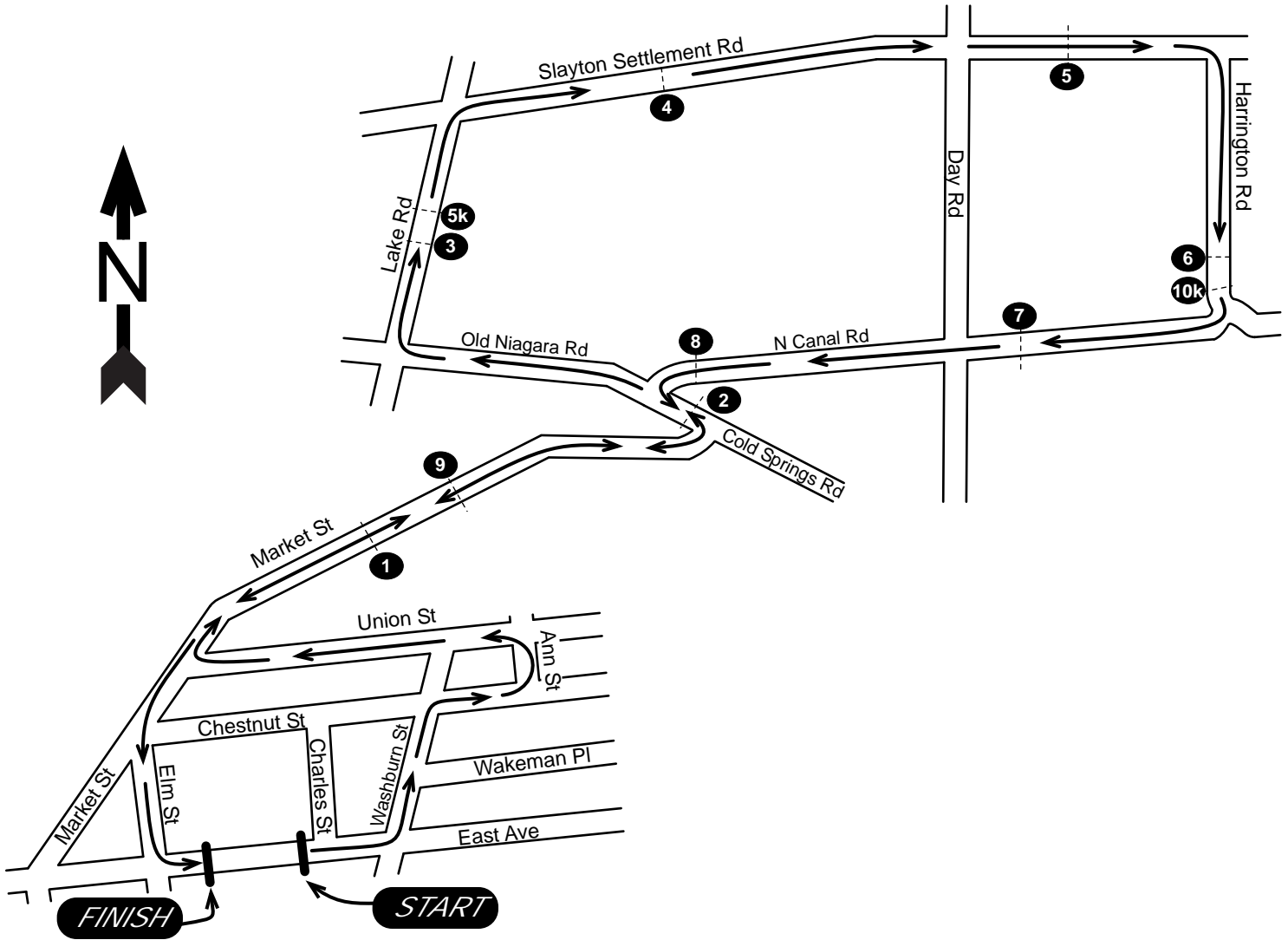
# Lockport Y-10

## Lockport, NY



**Certified Course**  
**NY15001JJ**  
 Effective: 1/03/2015  
 Through: 12/31/2025

Course Distance:	10 Miles
Date Measured:	December 28, 2014
Measured By:	Jeff John <i>BuffaloRunners.com</i>
Calibration Course:	NY14001JJ
Notes:	Map not to scale. Runners may have use of entire road surface.



## Lockport Y-10 Mile and Kilometer Splits

<b>START</b>	43 East Ave, and at the NW corner of intersect of East Ave and Charles St, and 20' east of unlabeled Lamp Pole north side of East Ave, and 9.5 feet east of the plane of the west edge of Charles St, and at the west corner of steel sewer grate at the NW corner of the intersection.
<b>1 MILE</b>	391 Market St and 4 feet past pole # NYT 34, which is past (east of) Adam St.
<b>2 MILE</b>	On Cold Springs Rd, mid-bridge, 200 feet past intersect with Market St.
<b>3 MILE</b>	On Lake Ave before (south of) Heather Dr, and at pole NYSEG 43 / NYT 45, and 212 feet before (south of) Heather Dr.
<b>5K</b>	On Lake Ave, past (north of) Heather Dr, and 50 feet before (south of) pole NYSEG 48, and 100 feet before MBX of 4419 Lake Ave.
<b>4 MILE</b>	6655 Slayton Settlement Rd, and 12 feet before MBX of 6655 Slayton Settlement Rd.
<b>5 MILE</b>	7095 Slayton Settlement Rd, and 86.5 feet past (east of) pole # NYSEG 1415 / 53.
<b>6 MILE</b>	On Harrington Rd, and 157 feet past (south of) hydrant at 4393 Harrington Rd.
<b>10K</b>	On Harrington Rd at start of curve in road, and 95 feet past hydrant # 5, and 54 feet before yellow bridge clearance sign: 12' 9".
<b>7 MILE</b>	N Canal Rd before (east of) Day Rd, and 15 feet before yellow left-arrow sign, and 462 feet before (east of Day Rd).
<b>8 MILE</b>	At MBX of 6629 N Canal Rd
<b>9 MILE</b>	at 537 Market St
<b>15K</b>	at 365 / 355 Market St, and 25 feet before (east of) pole # NYT 31.
<b>FINISH</b>	At 19 East Ave in front of the YMCA building and exactly at the vertical center of the unlabeled lamp pole in front of main "Y" entrance, and 26 feet east of the west edge of the center median, and 37' 6" past (east of) steel sewer grate on north side of road.